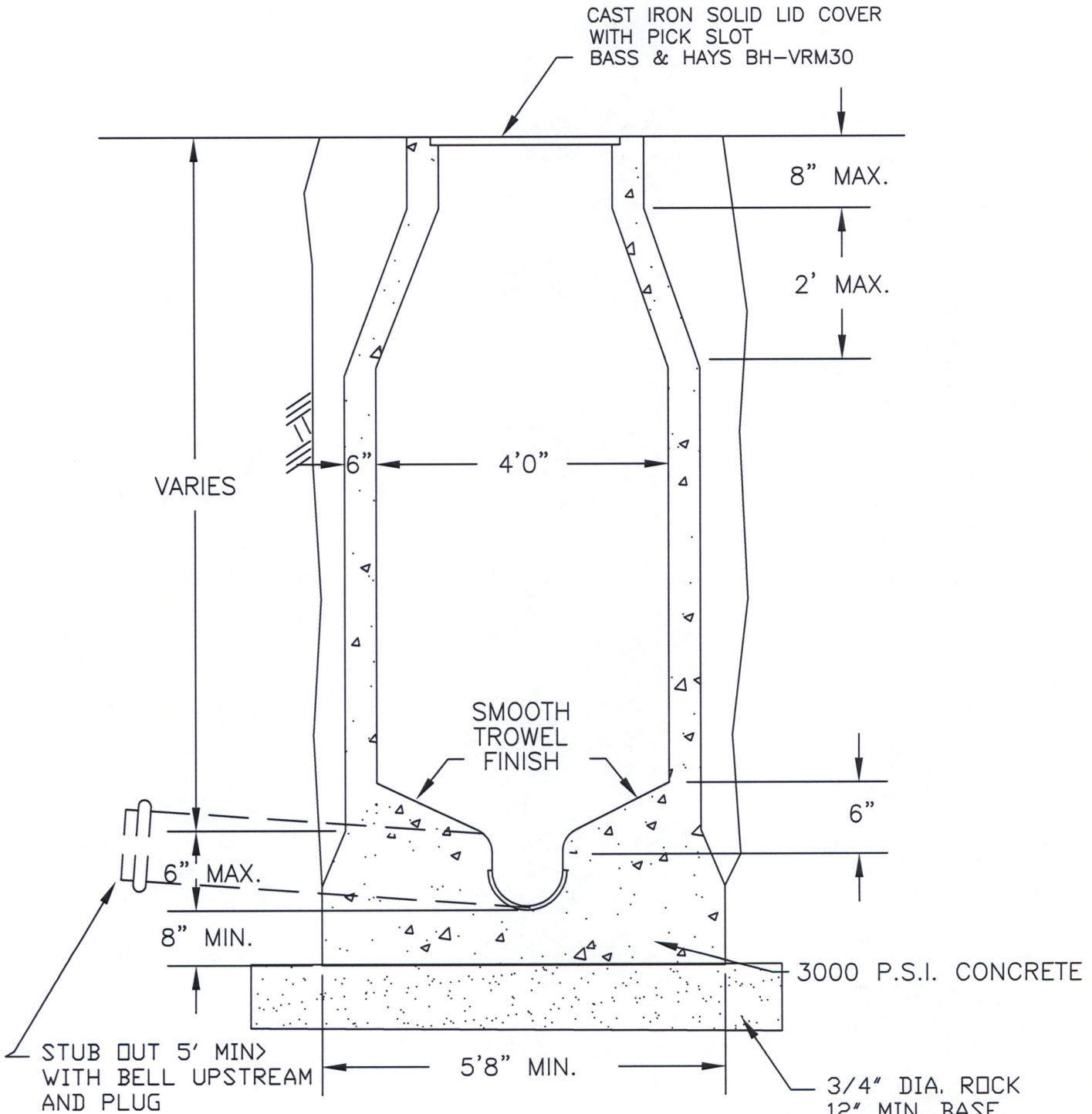


DETAIL OF "CAST IN PLACE" CONCRETE MANHOLE



EXTERIOR SURFACE COAT
KOPPERS "BITUMASTIC SUPER
SERVICE BLACK" TNEMEC
"46-450 HEAVY TNEMECOL"
OR EQUAL 14 MILS DRY

CAST IN PLACE MANHOLE



CITY OF GREENVILLE
PUBLIC WORKS DEPARTMENT

DRAWN: K. Colbert

SCALE: NTS

DATE DRAWN:
2-14-01

DATE REVISED:
6-28-11

DRAWING NO.
27003