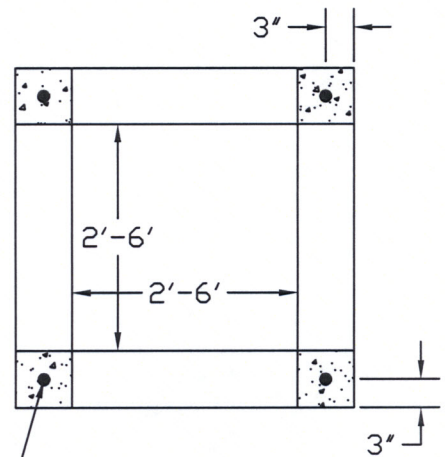
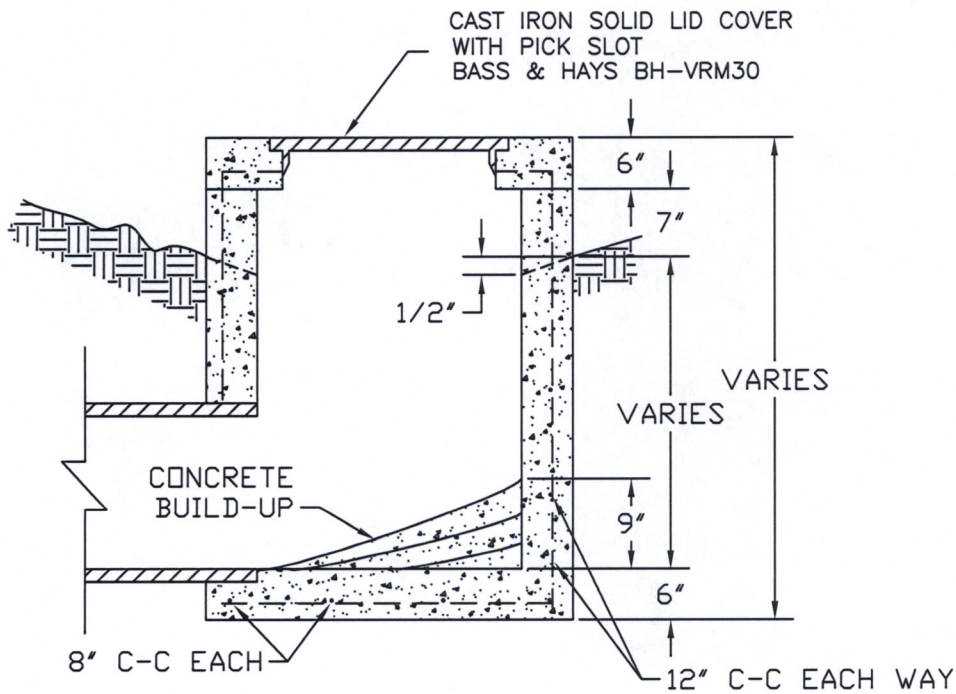


PLAN



SECTION B-B

ALL REINFORCING
#4 BARS



SECTION A-A

TYPE "Y" INLET



CITY OF GREENVILLE
PUBLIC WORKS DEPARTMENT

DRAWN: IKE TAYLOR

SCALE: NTS

DATE DRAWN:
2-16-01

DATE REVISED:
6-28-11

DRAWING NO.
28001