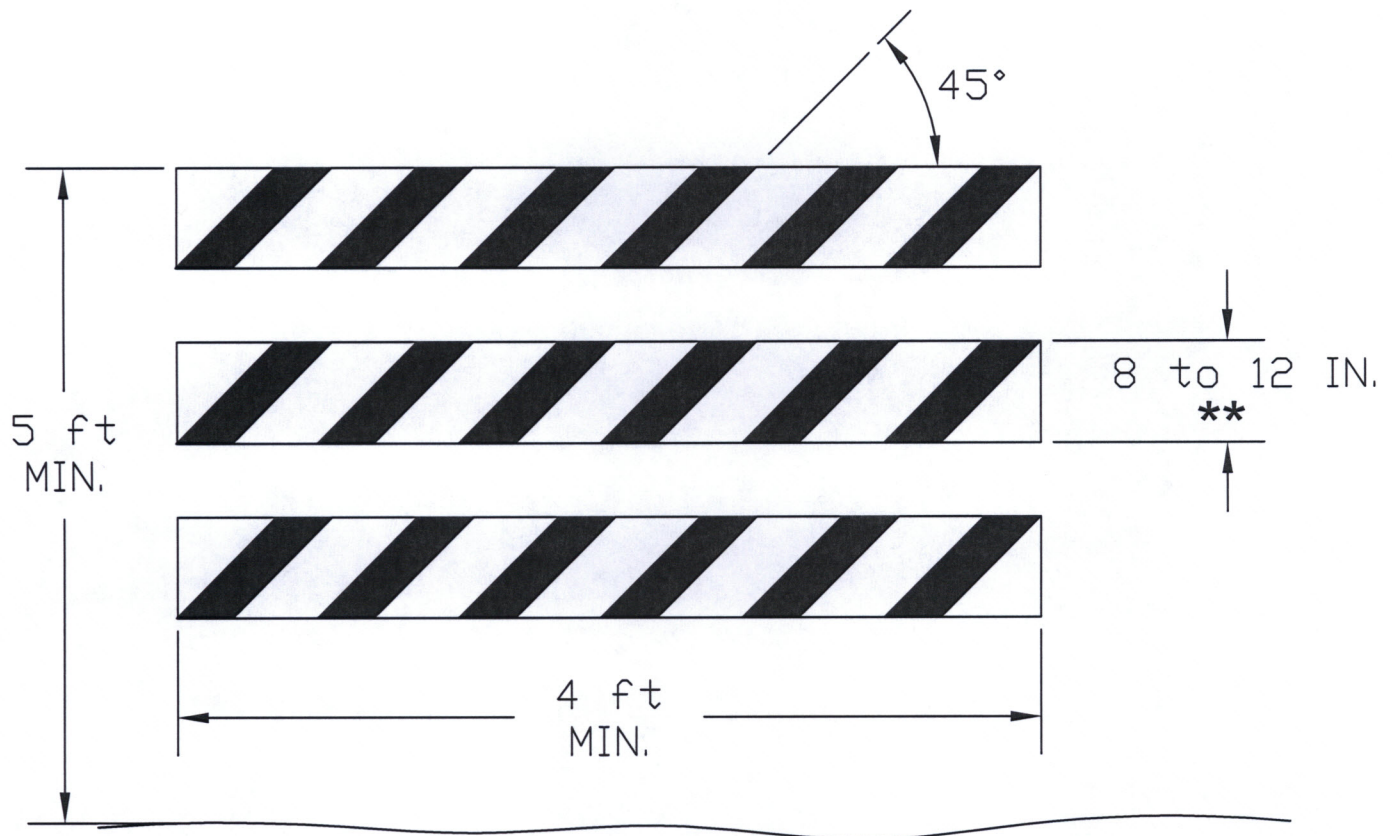


TYPE III BARRICADE



** NORMAL LUMBER DIMENSIONS ARE SATISFACTORY FOR BARRICADE RAIL DIMENSIONS.

*** RAIL STRIPE WIDTHS SHALL BE (6") ON RAILS ABOVE (36") IN LENGTH. LENGTHS OF (36") OR LESS MAY BE (4") WIDE STRIPES.

THE SIDES OF THE BARRICADES FACING TRAFFIC SHALL HAVE RETROREFLECTIVE RAIL FACES.

THE COLOR OF THE STRIPES SHALL BE RETROFLECTIVE WHITE AND RETROFLECTIVE RED.

MOUNTED WITH 2 $\frac{3}{8}$ " GALVANIZED STEEL POSTS IN SLEEVE WITH WEDGE.

TYPE III BARRICADE



CITY OF GREENVILLE
PUBLIC WORKS DEPARTMENT

DRAWN: C. McELROY

SCALE: NTS

DATE DRAWN:
8-20-07

DATE REVISED:
8-20-07

DRAWING NO.
25016