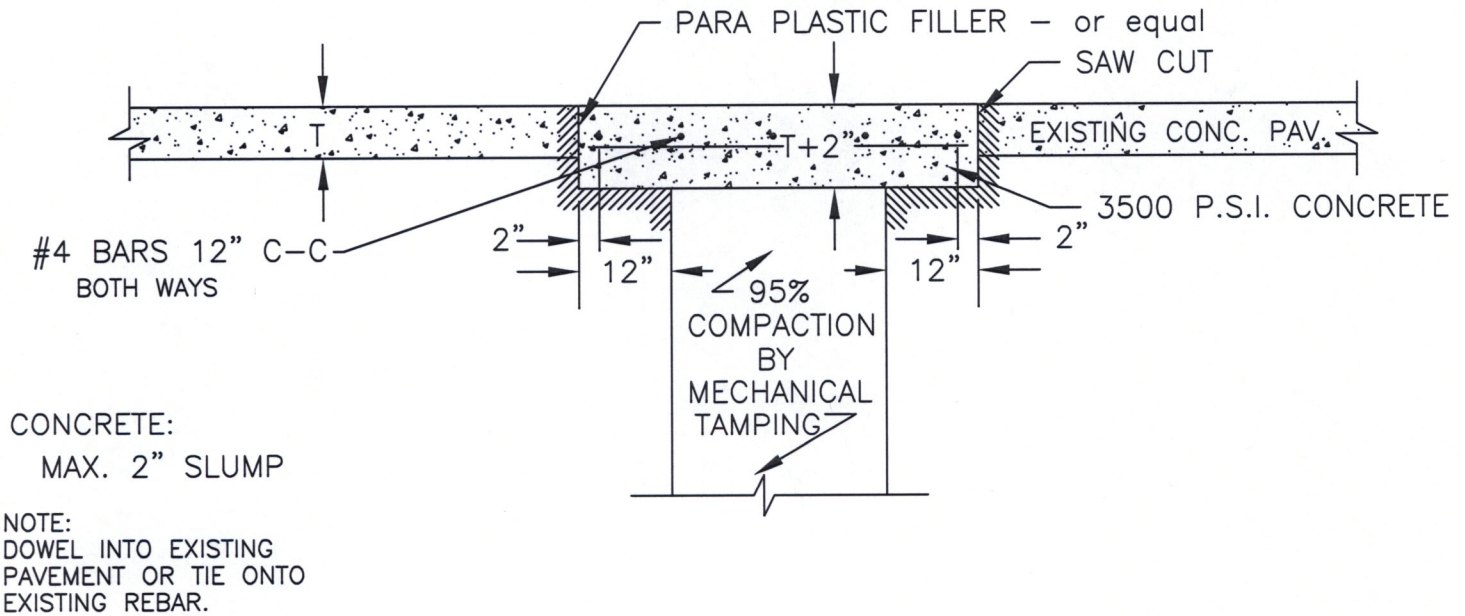


## PATCH FOR ASPHALT PAVEMENT



## PATCH FOR CONCRETE PAVEMENT

NOTE:  
CURING COMPOUND SHALL BE APPLIED TO ENTIRE SURFACE AFTER IT HAS SET.

### UTILITY PATCH CUT



CITY OF GREENVILLE  
PUBLIC WORKS DEPARTMENT

DRAWN: M. MEACHAM

SCALE: NTS

DATE DRAWN:  
8-22-97

DATE REVISED:  
8-15-07

DRAWING NO.  
25000