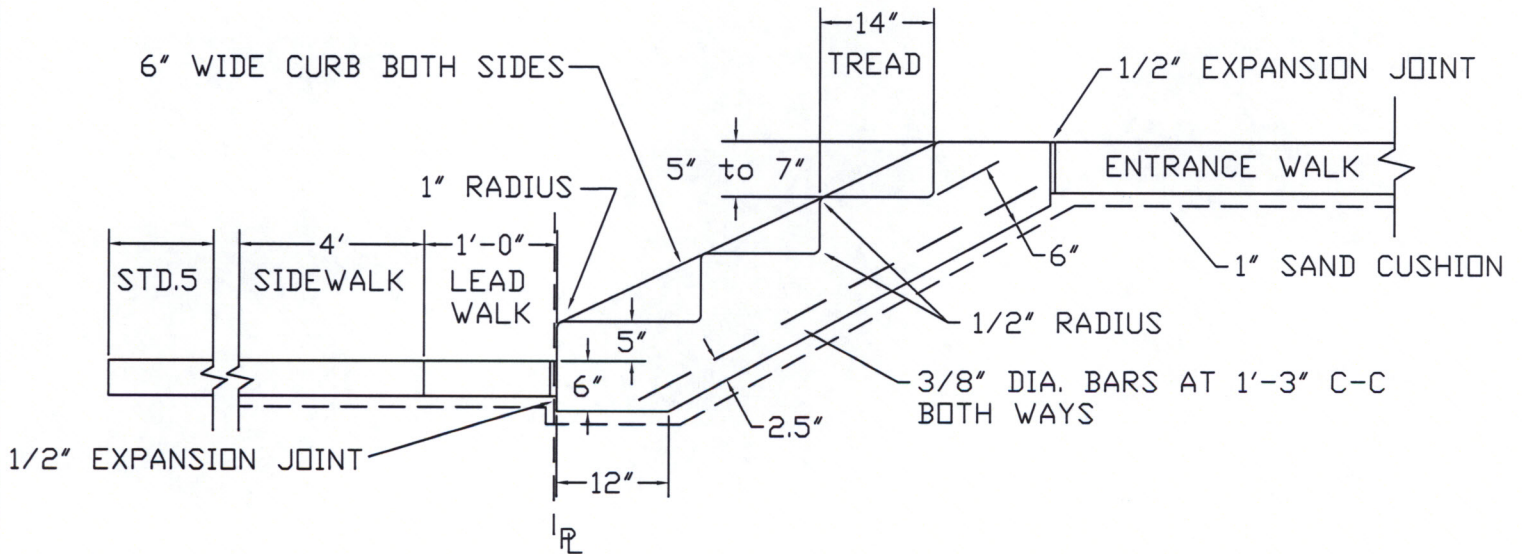


PLAN VIEW



SECTION A - A

NOTE:  
 NUMBER OF RISERS VARY TO MEET  
 CONDITIONS ON GROND.  
 SLOPE TREAD 1/8" PER FOOT.

CONCRETE STEPS



CITY OF GREENVILLE  
 PUBLIC WORKS DEPARTMENT

DRAWN: K. Colbert

SCALE: NTS

DATE DRAWN:  
 2/9/01

DATE REVISED:  
 8-15-07

DRAWING NO.  
 25001