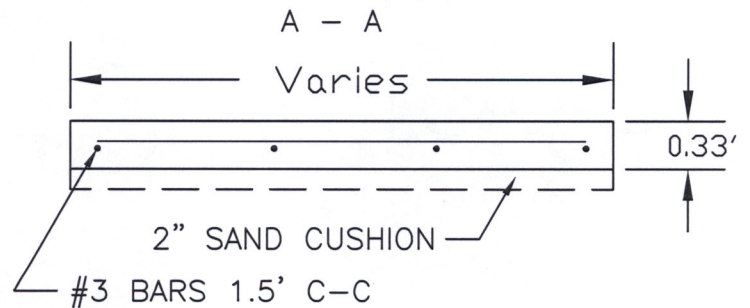


RAMP TO MEET TEXAS ACCESSIBILITIES STANDARDS (TAS) OF THE ARCHITECTURAL BARRIERS ACT ARTICLE 9102, TEXAS CIVIL STATUTES www.license.state.tx.us/ab/tas/abtas.htm RAMP TO INCORPORATE TRUNCATED DOME PAVERS.

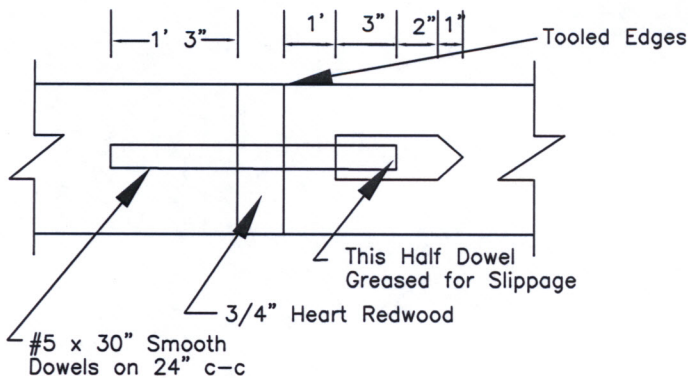
NOTES:

- 1) 1/2" EXPANSION JOINTS AT ALL POINTS WHERE CURB INTERSECTS WITH SIDEWALK. EXP. JNTS @ DRIVE ON CONCRETE DRIVES ONLY.
- 2) FLAGGING EQUAL TO WIDTH OF SIDEWALKS. EXAMPLE: FLAGGING @ 10' O.C. FOR 10' SIDEWALK.
- 3) GRADE SIDEWALK @ 1/4" PER FT. TOWARD STREET.
- 4) REDWOOD EXPANSION JOINTS EVERY 40' WITH #3 SMOOTH DOWELS WITH GREASE CAPS 1.5' O.C.

TYPICAL SECTION



3000 PSI / 28 DAYS MINIMUM



EXPANSION JOINT DETAIL

TYPICAL SIDEWALK INSTALLATION



CITY OF GREENVILLE
PUBLIC WORKS DEPARTMENT

DRAWN: C. McELROY

SCALE: NTS

DATE DRAWN:
1-23-95

DATE REVISED:
6-27-11

DRAWING NO.
25002

TYPICAL CONSTRUCTION LAYOUT OF SIDEWALK & DRIVEWAY
Showing Flagging And Expansion Joint Location