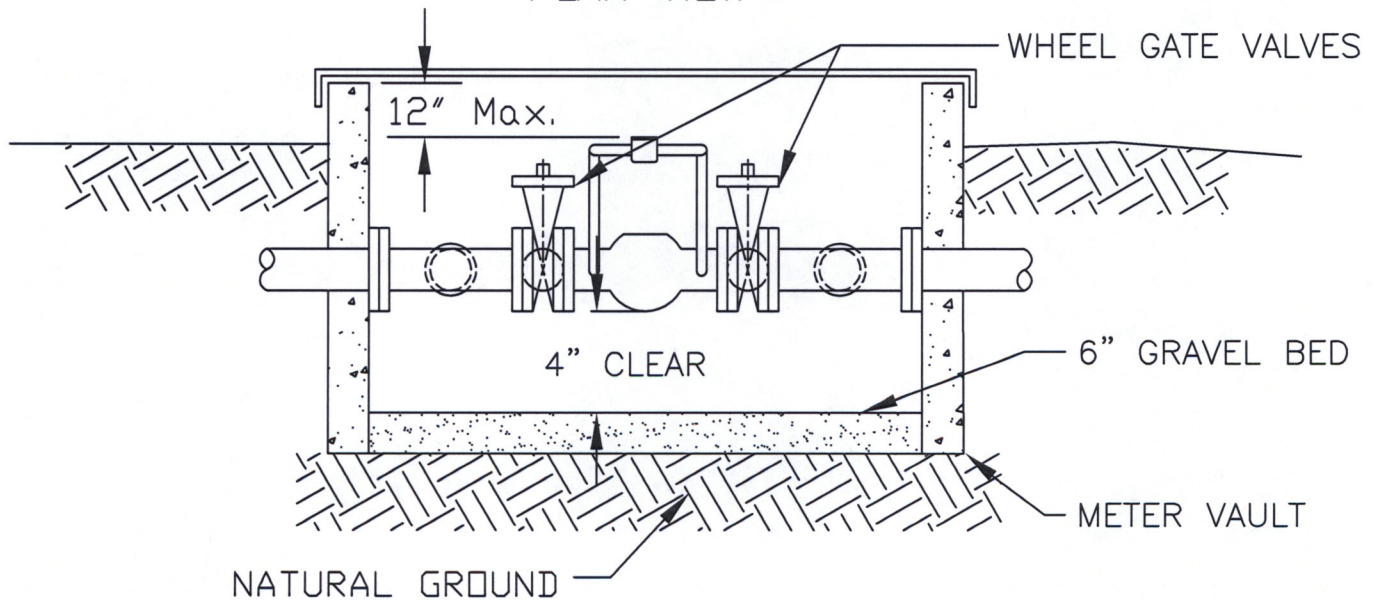
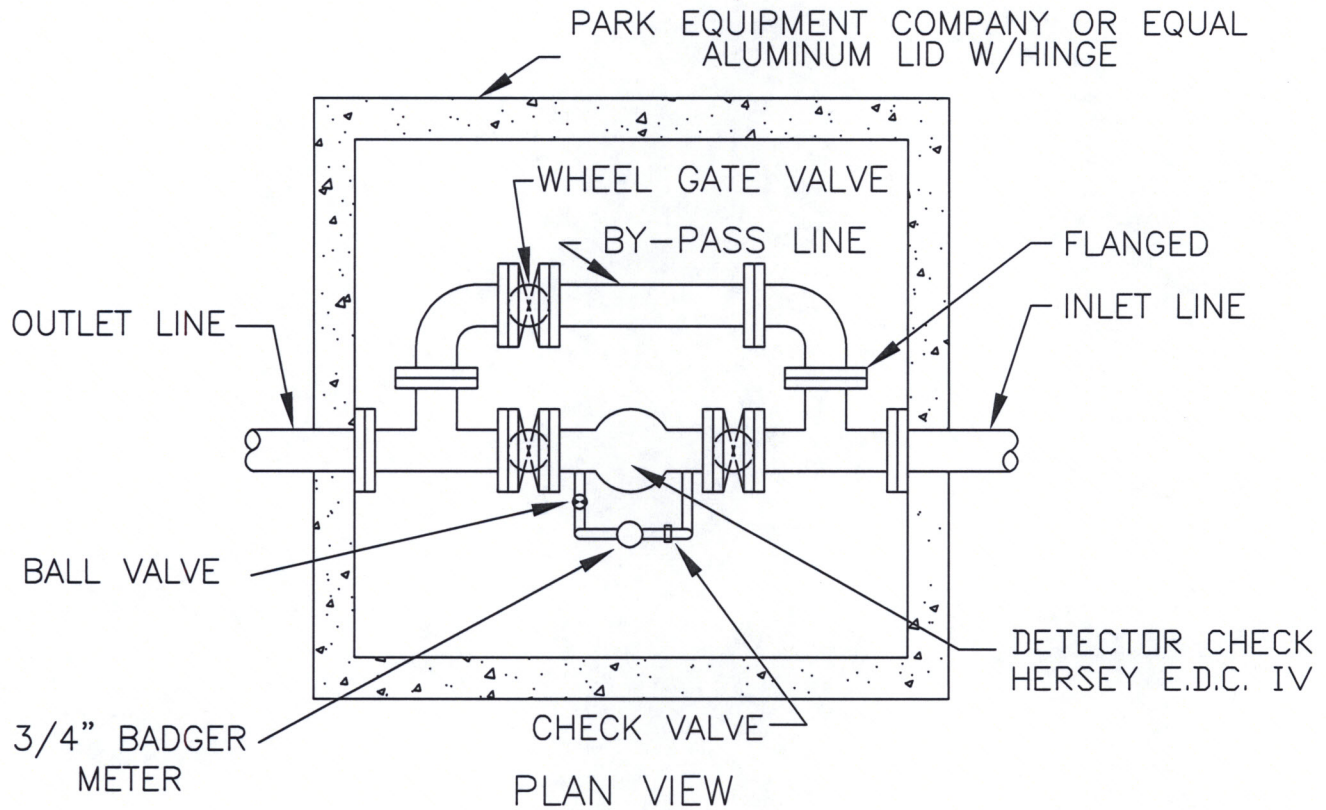


DETECTOR CHECK ASSEMBLY WITH BYPASS



NOTE:
USE WHEEL RISING-STEM GATE VALVE
W/LOCKING PROVISIONS FOR ALL VALVES.

DETECTOR CHECK ASSEMBLY		
		CITY OF GREENVILLE PUBLIC WORKS DEPARTMENT
DRAWN: K. Colbert	SCALE: NTS	
DATE DRAWN: 5-10-01	DATE REVISED: 6-28-11	DRAWING NO. 26003