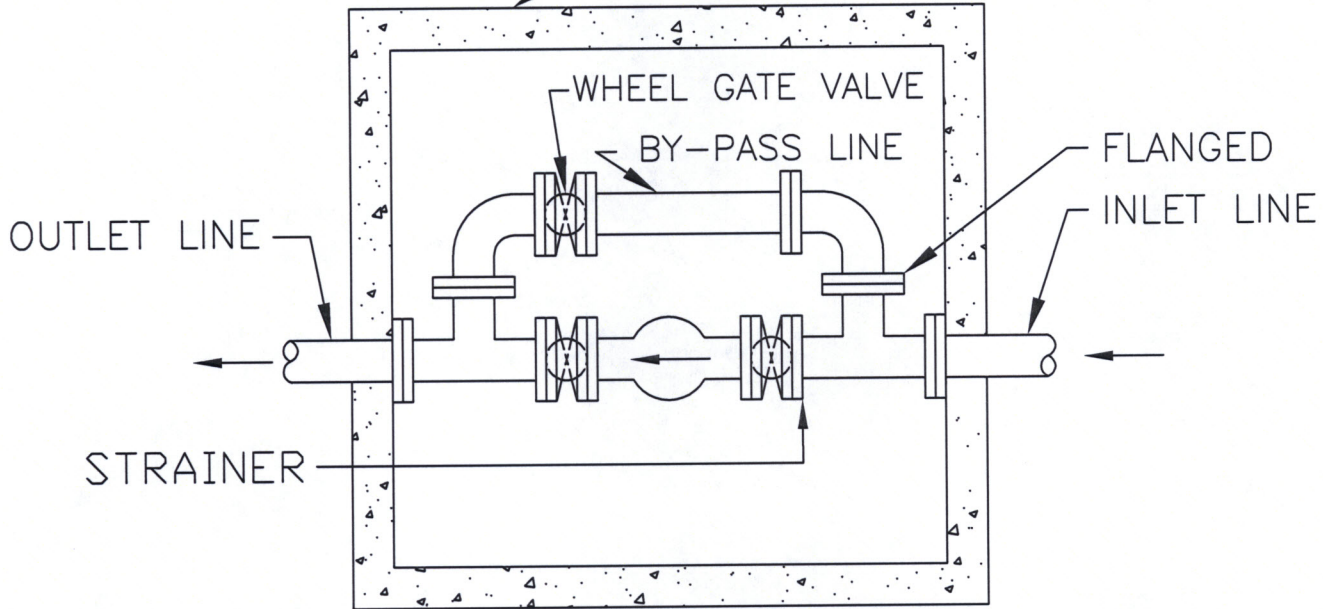
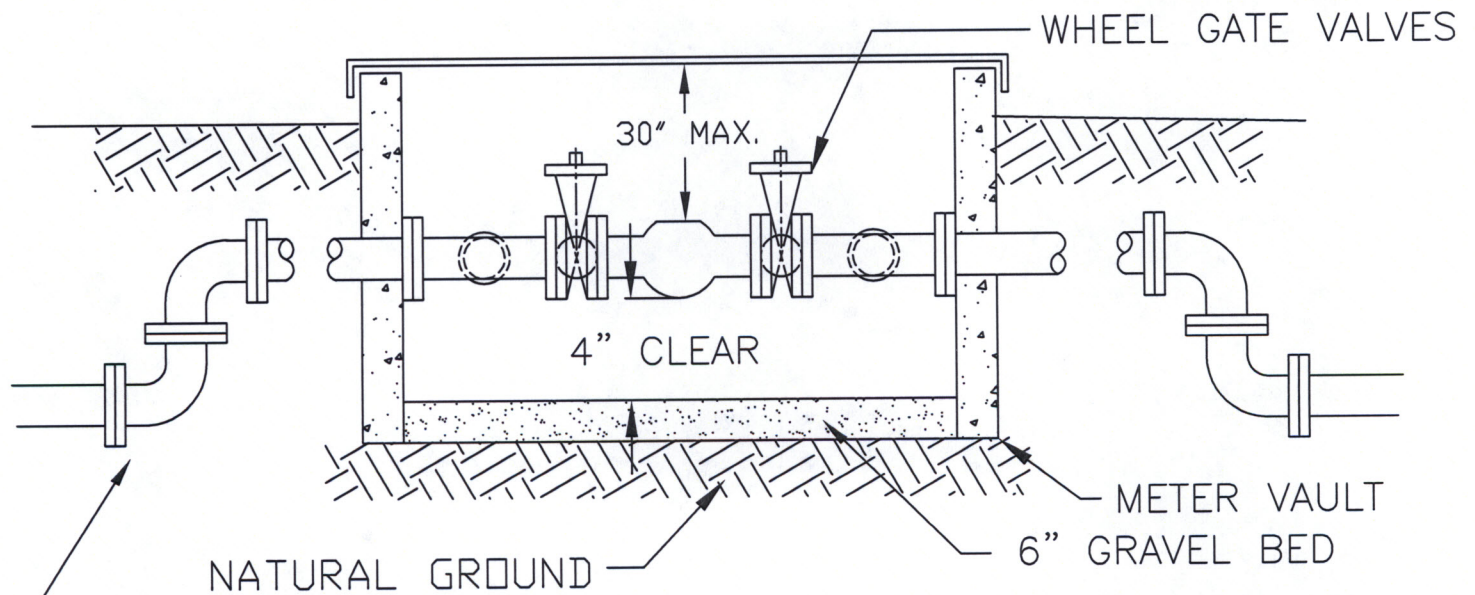


METER INSTALLATION FOR COMMERCIAL BUILDINGS METERS OVER 2" (W/BYPASS)

PARK EQUIPMENT COMPANY OR EQUAL
ALUMINUM LID W/HINGE



PLAN VIEW



ADJUST WATERLINE HEIGHT WITH 90°, 45°
OR 22.5° BENDS AS REQUIRED.

NOTE:
USE WHEEL RISING-STEM GATE VALVE
W/LOCKING PROVISIONS FOR ALL VALVES.

LARGE METER VAULT



CITY OF GREENVILLE
PUBLIC WORKS DEPARTMENT

DRAWN: K. Colbert

SCALE: NTS

DATE DRAWN:
5-10-01

DATE REVISED:
8-15-07

DRAWING NO.
26005