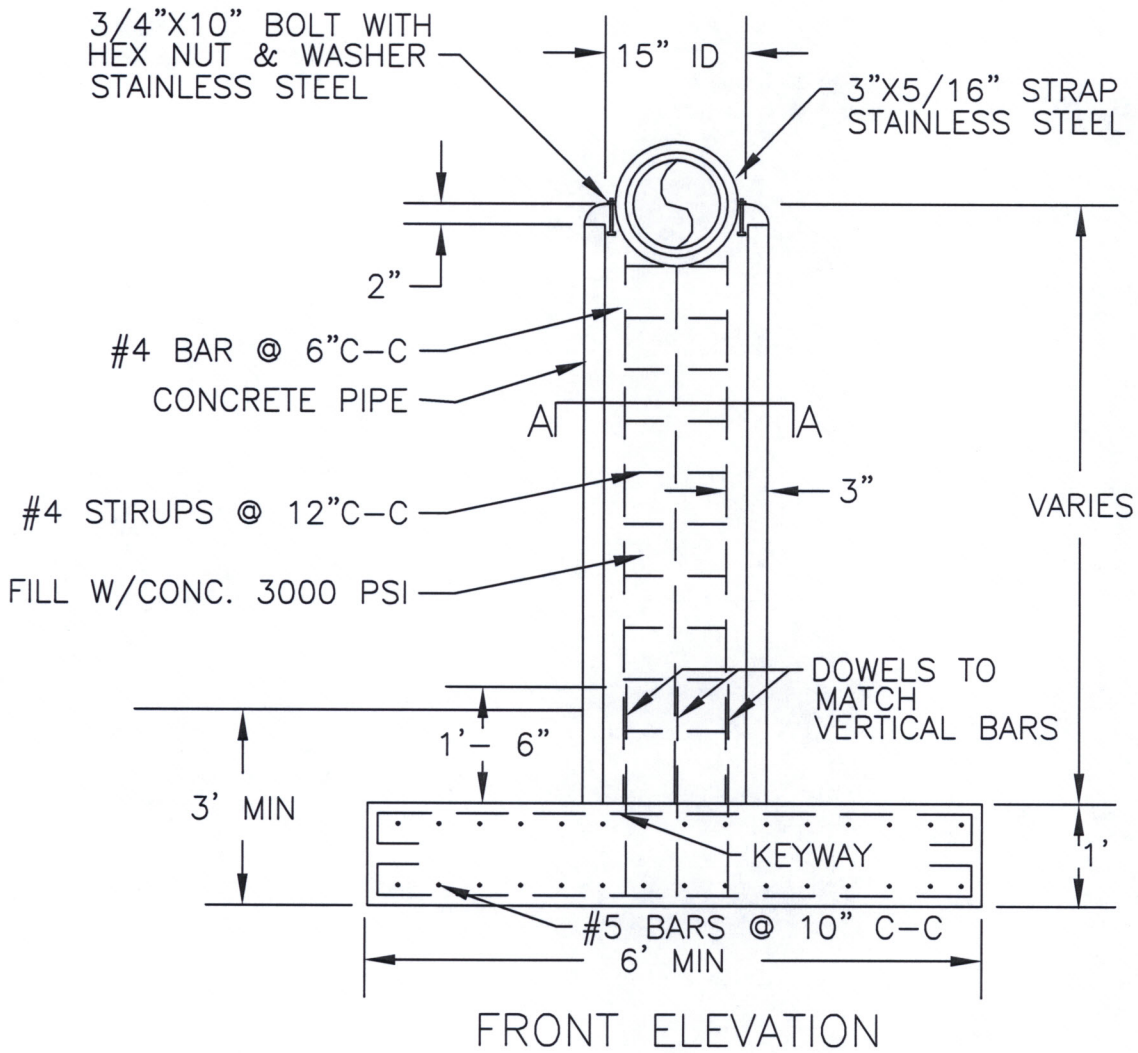


PIER DETAIL FOR AERIAL CROSSING



NOTE: PROVIDE 6'-0" MINIMUM WIDTH BOTTOM OF FOOTING TO BE FOUNDED ON FIRM UNYIELDING BASE MATERIAL.



SECTION A-A

PIER DETAIL		
		CITY OF GREENVILLE PUBLIC WORKS DEPARTMENT
DRAWN: C. McELROY	SCALE: NTS	DRAWING NO. 27002
DATE DRAWN: 2/14/01	DATE REVISED: 8-15-07	