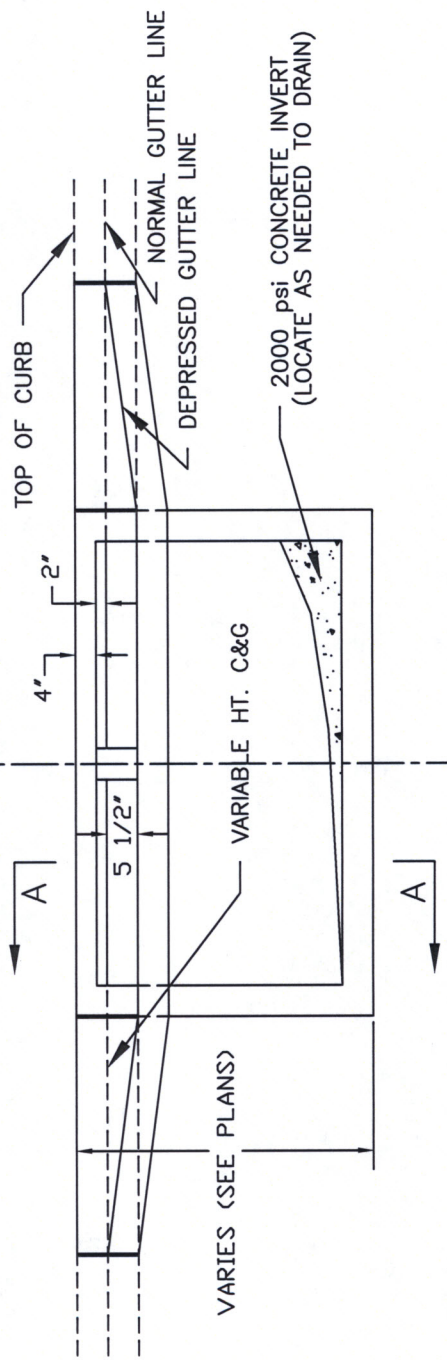
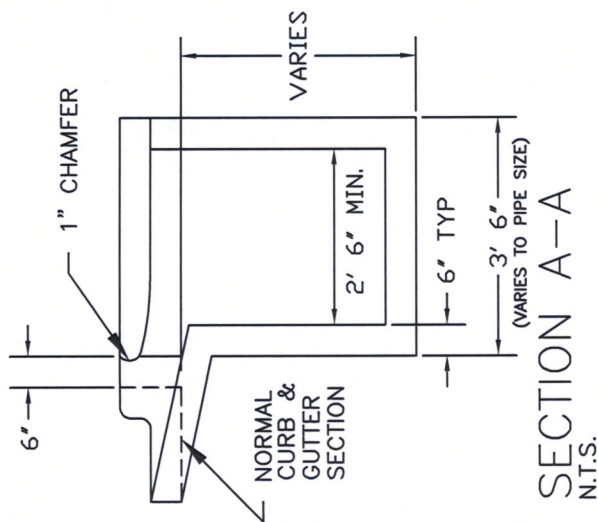


PLAN
N.T.S.



PROFILE
N.T.S.



- NOTES:
- 1) ALL REINFORCING STEEL TO BE #4 BARS ON 9" C-C BOTH WAYS OR AS NOTED OR DIRECTED BY THE ENGINEER.
 - 2) VARIABLE HEIGHT CURB & GUTTER INCLUDED IN UNIT PRICE FOR INLET.
 - 3) ALL EXPOSED EDGES TO BE CHAMFERED 3/4".

RECESSED CURB INLET



CITY OF GREENVILLE
PUBLIC WORKS DEPARTMENT

DRAWN: C. McELROY

SCALE: NTS

DATE DRAWN:
1-24-95

DATE REVISED:
6-28-11

DRAWING NO.
28000