

CAST IRON SOLID LID COVER
WITH PICK SLOT
BASS & HAYS BH-VRM30

C BARS

D BARS ON BACK WALL
CORNERS AND CENTERLINE

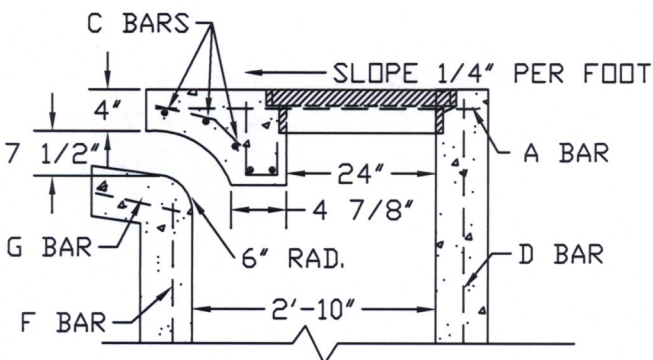
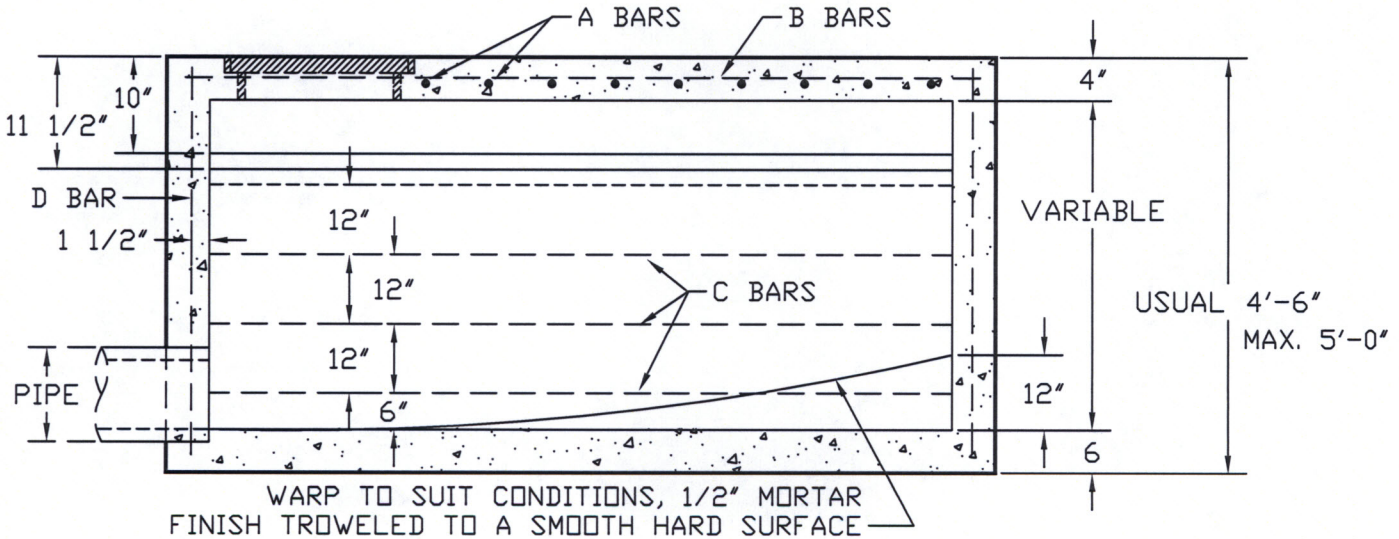
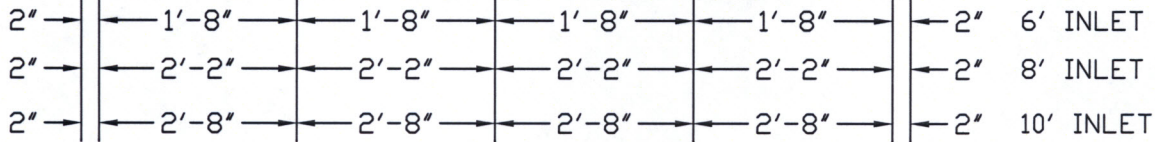
A BARS
(9" CENTERS)

B BARS
(12" CENTERS)

F BARS ON FRONT WALL
CORNERS AND CENTERLINE

G BARS

H BARS



"A" BARS	#4	"E" BARS	#3
"B" BARS	#4	"F" BARS	#3
"C" BARS	#3	"G" BARS	#4
"D" BARS	#3	"H" BARS	#4

INLET REINFORCING PLAN



CITY OF GREENVILLE
PUBLIC WORKS DEPARTMENT

DRAWN: K. Colbert

SCALE: NTS

DATE DRAWN:
2-20-01

DATE REVISED:
6-28-11

DRAWING NO.
28006